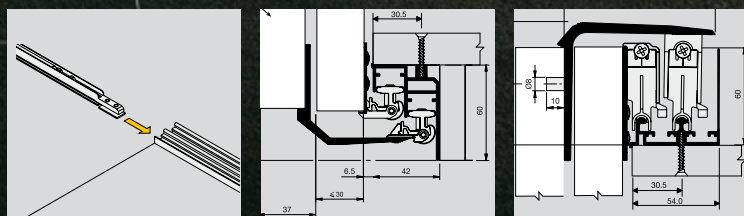


# SISTEMA-4

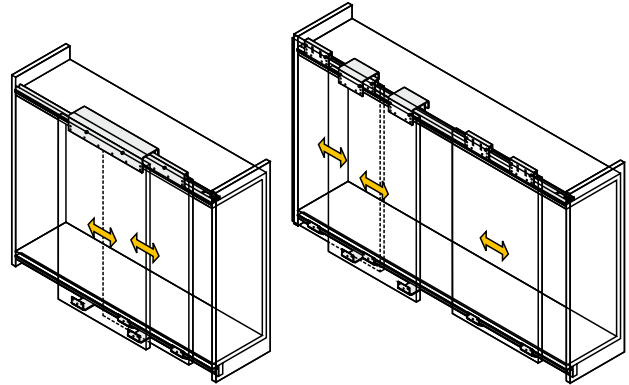
## Fittings for hanging doors

The SISTEMA-4 provides functionality, quality and design to the cupboard, in addition to a cushioned closing system thanks to INDAMATIC. A very simplified assembly is available in a wide range of finishes.



**INDA**matic  
GRADUAL CLOSING





# SISTEMA-4

## Fittings for hanging doors


The SISTEMA-4 provides functionality, quality and design to the cupboard, in addition to a cushioned closing system thanks to **INDAMATIC**. A very simplified assembly is available in a wide range of finishes. Allows for door thickness of until 30mm and 50kg maximum. No tools necessary to assemble lower rollers.

|  |                      |     |
|--|----------------------|-----|
|  | <i>pp.</i>           |     |
| <b>1</b>                                 | TRACKS .....         | 652 |
| <hr style="border: 0.5px solid black;"/> |                      |     |
| <b>2</b>                                 | TECHNICAL DATA ..... | 654 |

1 TRACKS


For door thickness of until 30mm. and 50kg maximum. Each fitting has a distance from the door to the floor of 35mm.

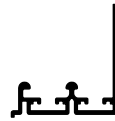
Upper track.

|         | Cut-to-measure | 6 m. bar    |  |
|---------|----------------|-------------|---|
| Natural | 707.000.501    | 707.060.502 | 8   |




Heavy duty upper track.

|         | Cut-to-measure | 6m. bar     |  |
|---------|----------------|-------------|---|
| Natural | 707.100.505    | 707.160.506 | 4   |




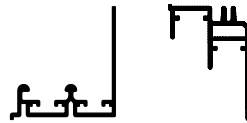
Lower track.

|         | Cut-to-measure | 6m. bar     |  |
|---------|----------------|-------------|---|
| Natural | 707.300.506    | 707.360.500 | 4   |



Set of upper and lower tracks Ø16.

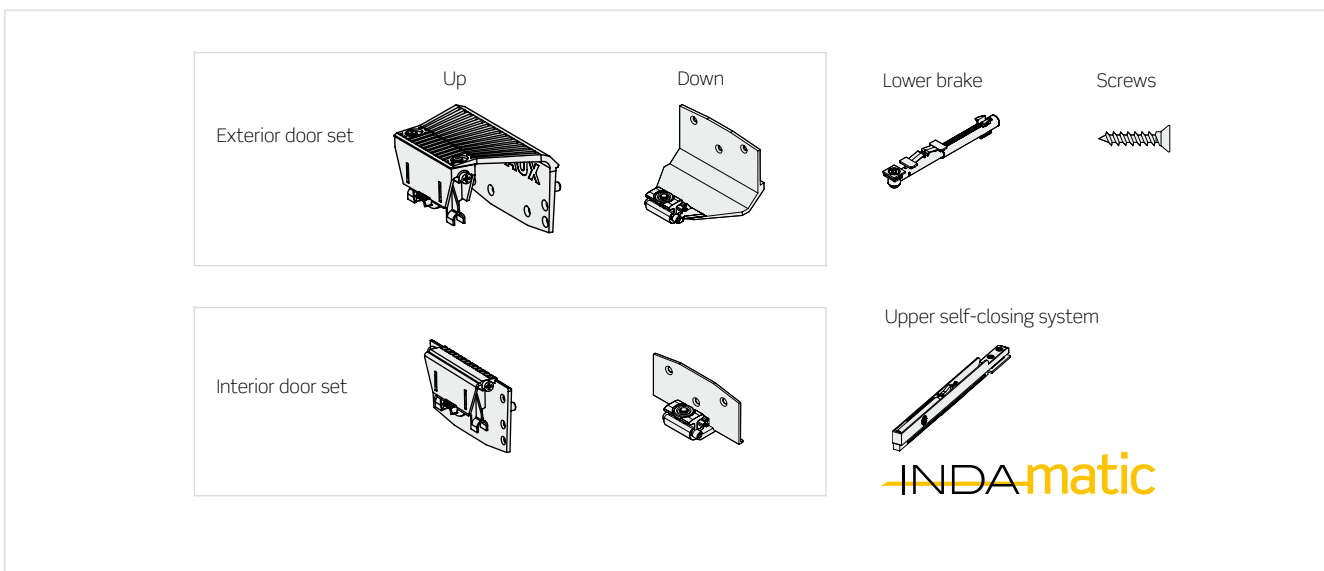
|         | Cut-to-measure |  |
|---------|----------------|---|
| Natural | 707.200.502    | 1   |



SISTEMA-4 set of fittings.

| Load  | Exterior door | Interior door |   |
|-------|---------------|---------------|---|
| 50Kg. | 700.770.103   | 700.760.104   | 1 |

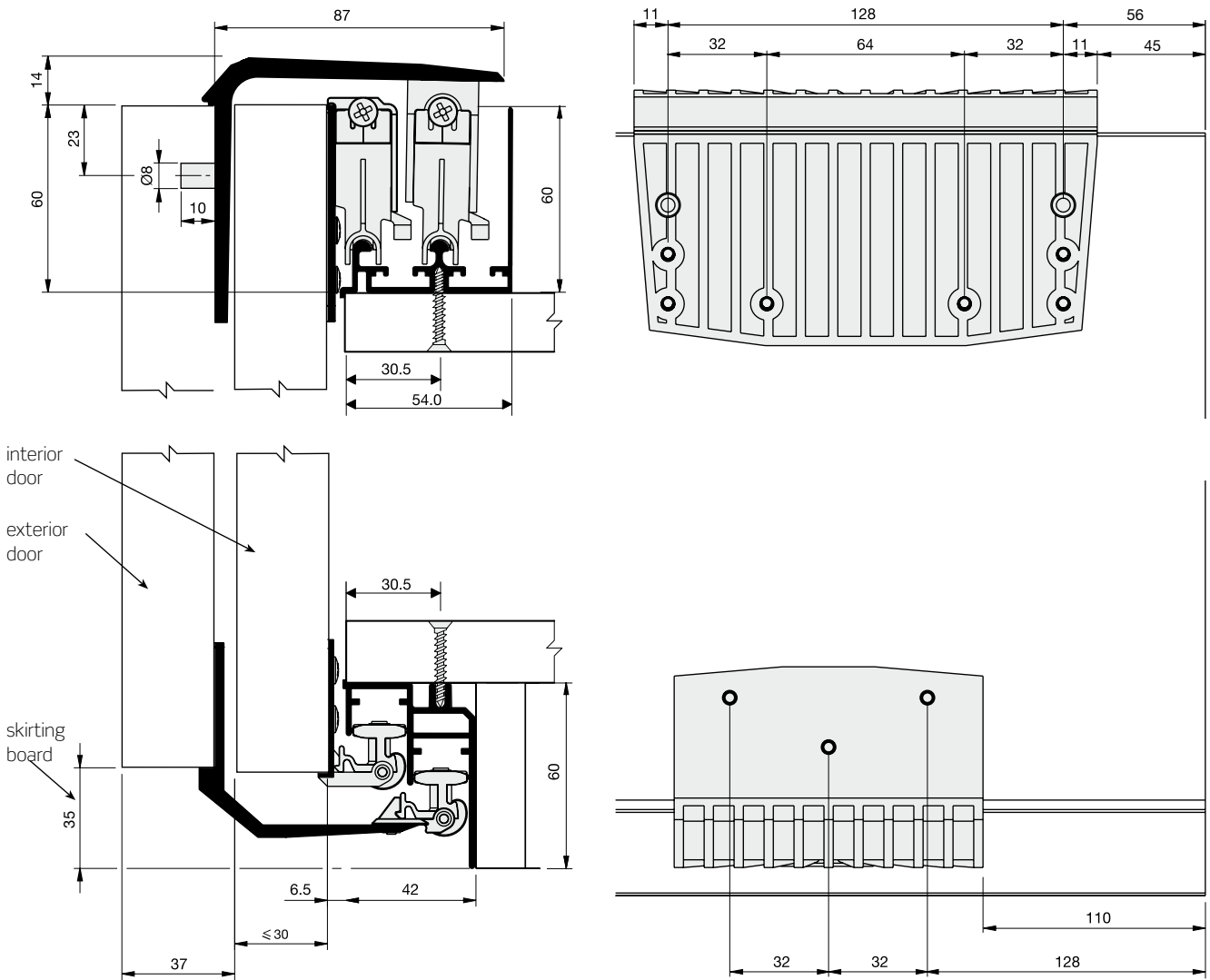
It contains 2 upper rollers, 2 lower rollers, 2 upper self-closing devices, 2 lower brakes and all necessary screws for one door.



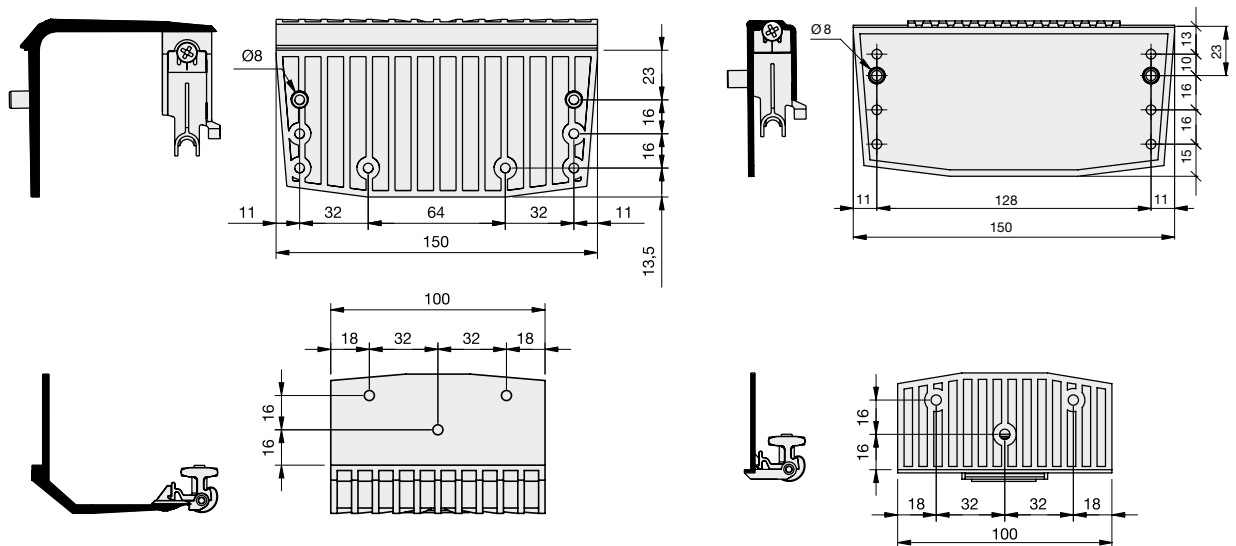
2 TECHNICAL DATA

INDAmatic

Assembling scheme



Drilling plan



2 TECHNICAL DATA



Assembly

Assemble the upper track. Insert the INDAMATIC self-closing system, placing the screws towards the centre of the cabinet. (Diagram 1)

Secure the self-closing system in the required position (nº.2)

Insert the lower brake, placing the screws towards the exterior of the cabinet. (nº.3) Position and fix the lower brake. (nº.4)

The doors are assembled by placing them in the upper track and then pushing them down gently until the fitting is inserted into the lower track. (nº.5, nº.6)

The doors' height is adjusted from the side. (nº.7)

Once the doors have been assembled and positioned, activate the closing device, opening and closing the door. (Nº.8)

The dismantling process is as the assembly process but in reverse. First release the lower fitting and then raise the door to remove it.

